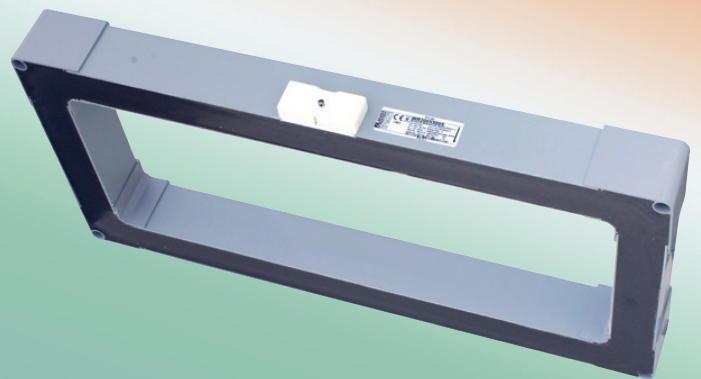
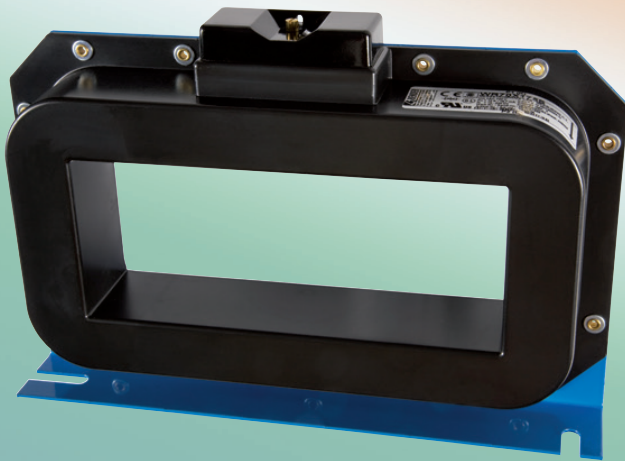


WR Series

Rectangular current transformers

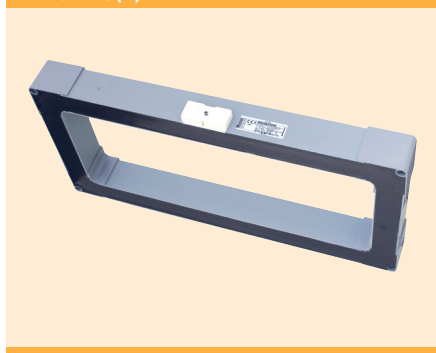
For use with Bender monitoring equipment



WR Series Current Transformers



WR70x175(P)



WR200x500(P)

Features

- For RCM and RCMS series ground fault monitors for grounded systems
- For EDS460 and EDS490 series ground fault location modules for ungrounded systems

Description

The WR series current transformers are highly sensitive measuring tools which measure AC currents and convert them into evaluatable signals. These are specially designed to work with BENDER RCM and RCMS series ground fault monitors for grounded and high-resistance grounded systems, as well the EDS series of ground fault location evaluators for ungrounded systems.

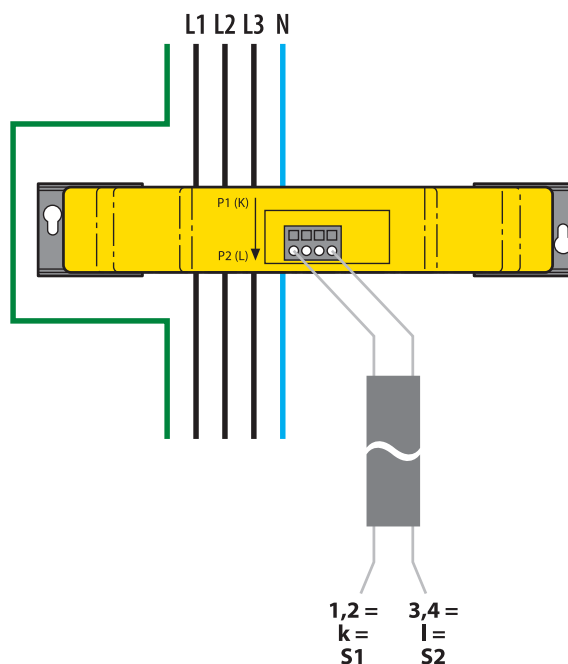
WR series current transformers have a large, rectangular opening, appropriate for large systems.

Connection to the respective devices is via a two-wire cable.

Installation instructions

- All conductors, including the neutral if it is used, are routed through the current transformer.
- The ground wire should not be routed through the current transformer.

Wiring diagram



Ordering information

Shielding / screening	Internal dimensions in inches (mm)	Type	Ordering No.
Standard	2.75" x 6.9" (70 x 175)	WR70x175S	B 911 738
	4.5" x 12" (115 x 305)	WR115x305S	B 911 739
	5.9" x 13.8" (150 x 350)	WR115x350S	B 911 740
	7.9" x 19.7" (200 x 500)	WR200x500S	B 911 763
Additional shielding / screening	2.75" x 6.9" (70 x 175)	WR70x175SP	B 911 790
	4.5" x 12" (115 x 305)	WR115x305SP	B 911 791
	5.9" x 13.8" (150 x 350)	WR150x350SP	B 911 792
	7.9" x 19.7" (200 x 500)	WR200x500SP	B 911 793

Technical data

Insulation coordination acc. to IEC 60044-1

Highest system voltage for electrical equipment U_m	AC 720 V
Rated impulse withstand voltage U_{iso1}	3 kV

Measuring circuit

Rated transformation ratio	600/1
Rated burden	180 Ω
Rated primary current	≤ 10 A (100 A)
Rated primary current	≥ 10 mA
Nominal power	50 mVA
Rated frequency	50 - 400 Hz
Internal resistance	5 - 8 Ω
Secondary overvoltage protection	suppressor diode P6KE6V8CP
Accuracy class	5
Rated continuous thermal current	100 A
Rated short-time thermal current	14 kA/1 s
Rated dynamic current	35 kA/30 ms

Environment

Standard	IEC 60044-1
Shock resistance IEC 60068-2-27 (device in operation)	15 g/11 ms
Bumping IEC 60068-2-29 (transport)	40 g/6 s
Vibration resistance IEC 60068-2-6 (device in operation)	1 g/10 - 150 Hz
Vibration resistance IEC 60068-2-6 (transport)	2 g/10 - 150 Hz
Ambient temperature (during operation)	-10 - +50 °C
Ambient temperature (during storage)	-40 - +70 °C
Climatic class acc. to DIN IEC 60721-3-3	3K5

Connection

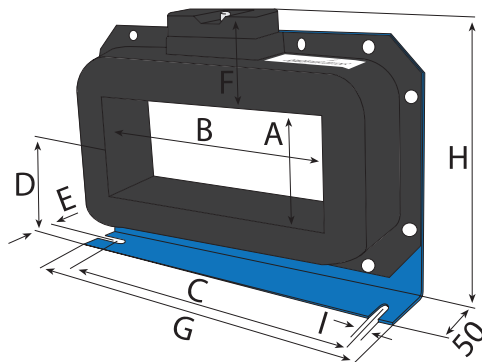
Connection	screw-type terminals
Connection	rigid/flexible
flexible with ferrules with/without plastic sleeve	0.2 - 4/0.2 - 2.5 mm ²
Conductor sizes (AWG)	24 - 12
Connection to monitor	
single wire \geq AWG 18 (0.75 mm ²)	0 - 1 m
single wire, twisted \geq AWG 18 (0.75 mm ²)	0 - 10 m
shielded cable \geq AWG 19 (0.6 mm ²)	0 - 40 m
Shielded cable (shield on one side connected to PE)	recommended: J-Y(St)Y min. 2 x 0.6

Other

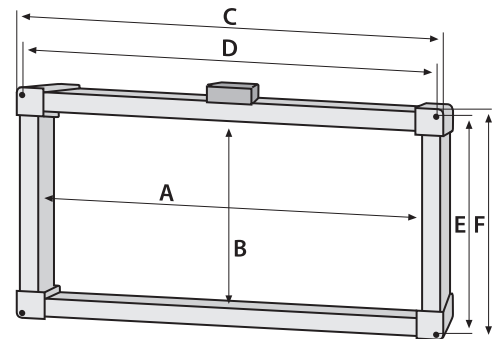
Operating mode	continuous operation
Mounting	any position
Degree of protection, internal components (DIN EN 60529)	IP40
Degree of protection, terminals (DIN EN 60529)	IP20
Screw mounting	M5
Flammability class	UL94 V-0
Operating manual	TBP409004

Description

WR70x175S(P), WR115x305S(P), WR150x350S(P)



WR200x500S(P)



Type	Dimensions in inches (mm)									Weight
	A	B	C	D	E	F	G	H	I	
WR70x175S(P)	2.75" (70)	6.9" (175)	8.9" (225)	3.3" (85)	0.87" (22)	1.8" (46)	10.2" (261)	6.9" (176)	0.3" (7.5)	6.4 lb (2900 g)
WR115x305S(P)	4.5" (115)	12" (305)	14.2" (360)	4.6" (116)	1" (25)	2.2" (55)	15.6" (397)	9.4" (240)	0.3" (8)	13.9 lb (6300 g)
WR150x350S(P)	5.9" (150)	13.8" (350)	16.3" (415)	5.5" (140)	1.1" (28)	2.2" (55)	17.3" (460)	11.2" (285)	0.3" (8)	18.2 lb (8250 g)
WR200x500S(P)	19.7" (500)	7.9" (200)	23" (585)	22.4" (568.5)	10.5" (268.5)	11.2" (285)	-	-	-	20 lb (9000 g)



USA • Exton, PA • 800-356-4266 / 610-383-9200
Mexico and Central America • Tampa, FL • +1 813-240-2858
info@bender.org • www.bender.org

Canada • Mississauga, ON • 800-243-2438 / 905-602-9990
info@bender-ca.com • www.bender-ca.com

South America • Santiago de Chile • +56 2 2933 4211
info@bender-latinamerica.com • www.bender-latinamerica.com



Your local contact: