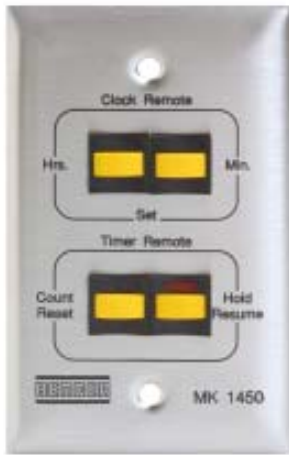


**MK1450-G1/G2**  
**MK1450T-G1/G2**  
**MK1450C-G1/G2**

**Remote Control**  
**for Clock / Elapsed Timer**



**MK1450-G1**



**MK1450T-G1**



**MK1450C-G1**

- No interference with medical equipment
- Interfaces with all BENDER Clocks / Elapsed Timers ZT1490 and ZT1491
- Uses low voltage wiring (5V DC)
- Mounts to standard electrical gang box
- Connection is by screw terminal strip
- Easy to clean rugged stainless steel

**Product Description**

The control buttons of the remotes are mounted on stainless steel wall plates. All the remote control MK1450's are supplied as one gang (G1) or two gang (G2) stainless steel faceplates for flush mounting into a panel or wall box with a 2" minimum depth.

The remote controls MK1450-G1 and MK1450-G2 are designed as optional remotes for the clock / elapsed timers ZT1490 and ZT1491 (2-1/2" display).

The remote controls MK1450C-G1 and MK1450C-G2 are used when only the clock time of day needs to be reset.

The remote controls MK1450T-G1 and MK1450T-G2 are used when the timer function of the clock / elapsed timer is being used.

**Operational Information**

The MK1450-G1/G2 is able to activate the timer or to set the time of day of a clock/ elapsed timer. In timer mode, a count may be interrupted, resumed and reset whenever desired. The "Hold / Resume" button of the remote is supplied with a red LED, which will flash while a count is stopped.

To set time of day, depress the "Hours" and "Minutes" buttons at the same time. The display will start to blink. The hours can now be advanced by depressing the "Hours" button, when the desired time is displayed the "Minutes" button is pressed. Minutes are set by depressing the "Hours" and "Minutes" buttons, then the minutes are advanced until the desired time is displayed. The "Hours" button is pushed and the clock is set.

To use the timer, the "Count / Reset" button is depressed. The timer will start to count. If the count needs to be stopped the "Hold / Resume" button is pushed, pushing the button again continues the count. To turn off the timer, it must be in "Hold" mode when the "Count / Reset" button is depressed.

**Ordering Information**

Type	Article No.
MK1450-G1	927760
MK1450-G2	927759
MK1450C-G1	927761
MK1450C-G2	927763
MK1450T-G1	927762
MK1450T-G2	927764

**Technical Data for MK1450, MK1450T & MK1450C...G1/G2**

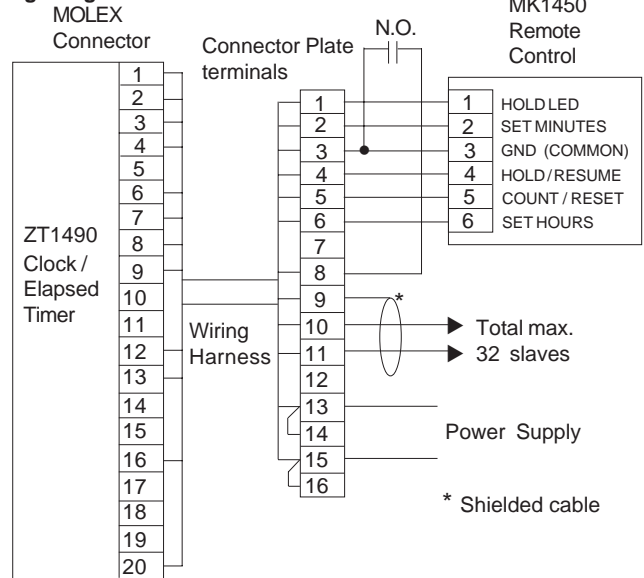
Operating voltage	5V DC
Max. current	20 mA
Operation class	continuous operation
Ambient temperature when operating	+32° F to +122° F 0° C to +50° C
when stored	-13° F to +158° F -25° C to +70° C
Connection	screw terminal block
Max. conductor size	14 AWG stranded by screws
Mounting	
Weight	
MK1450, MK1450T & MK1450C...G1	0.25 lb
MK1450, MK1450T & MK1450C...G2	0.32 lb

**Safety Instructions**

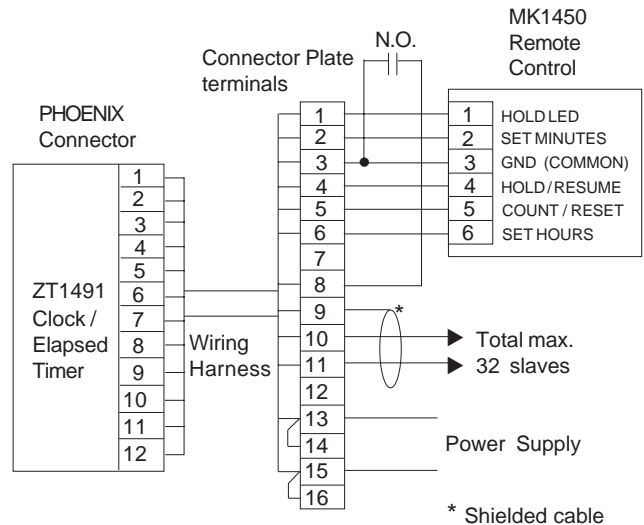
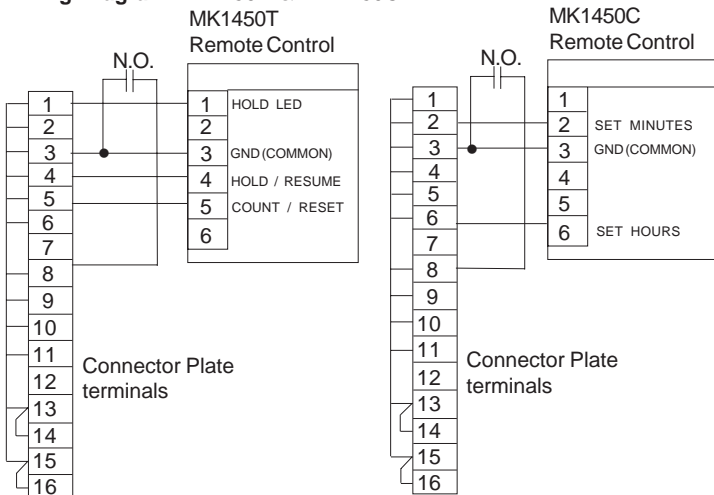


Electrical equipment shall only be installed by qualified personnel in consideration of the applicable safety regulations.

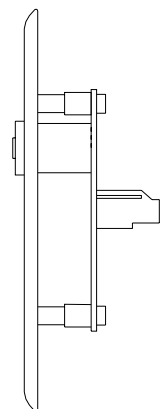
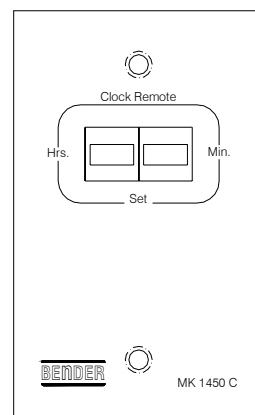
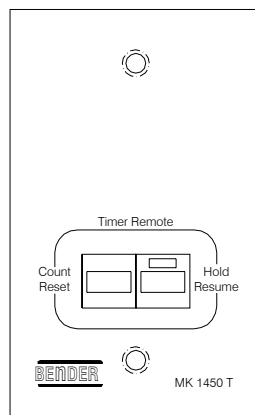
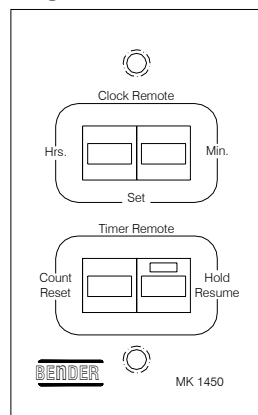
**Wiring Diagram**



**Wiring Diagram MK1450T & MK1450C**



**Diagram**



**Our Address**  
**BENDER MEDICAL PRODUCTS**

700 Fox Chase  
Coatesville, PA 19320  
Phone: 800-356-4266  
610-383-9200

Fax: 610-383-7100  
E-mail: [medical@bender.org](mailto:medical@bender.org)

**MK1450-G1**

**MK1450T-G1**

**MK1450C-G1**