

Line Isolation Monitor Tester LIM / GFCI Tester



LT3000



Line Isolation Monitor and GFCI Tester LT3000

- Wide range of system voltage 100 to 240V
- LIM and GFCI testing
- Large LCD digital display
- Overload protection with automatic reset
- Easy to clean rugged lexan front foil
- System leakage measurement
- Twist-to-Lock adapter
- Light weight (less than 1 lb.)

Product Description

NFPA 99 requires that LIM and GFCI tests be conducted at regular intervals. The LT3000 is an effective and versatile portable test instrument for doing this.

Simply plug it into any wall outlet up to 240V, 50 or 60Hz. Run a simple pretest to confirm the integrity of the isolated system and to give assurance that the system is properly grounded. The LCD meter normally displays system voltage. In the LIM/GFCI test mode, adjust the current until it reads 2, 5, or 6 mA on the LCD display. Alternately push L1 and L2 to confirm that the LIM or GFCI is working correctly.

Standards

NFPA 99, section 3-4.2.3.3.2 states for ISOLATED POWER: "The Line Isolation Monitor shall not alarm for a fault hazard current of less than 3.7 milliamperes and no more than 5.0 milliamperes."

NFPA 99, section 3-5.2.3.3.1 states for GROUNDED POWER: "If GFCIs are used, a device or component that cause 6 milliamperes to flow to ground shall be momentarily connected between the energized conductor of the power distribution circuit being protected and ground, to verify that the GFCI does indeed interrupt the power."

Operational Information

When the LT 3000 is plugged in, it will enter the pretest mode. The display will indicate the system voltage, the "V" LCD will be lit and the PRETEST LCD (Hazard Current) will light. If the L1 or L2 button is pushed, the system leakage on each line will be indicated in mA (milliamperes). Pushing the top push button (mode selector push button) will get the unit in the compliance test mode and the "LIM/GFCI" LED will light.

Depress and hold the Set Current button and adjust the current knob (potentiometer) until the desired milliamperes setting is displayed. The set current button can be released. Pushing the L1 or L2 button will cause the LIM to indicate the desired leakage.

Ordering Information

Type	Article No.
LT3000	980636

Technical Data for LT3000

System Voltage	100V to 240V
Frequency	50Hz to 60Hz
Current Set Range (potentiometer)	1.10mA to 9mA @ 120V AC 1.75mA to 9 mA @ 240V AC
LCD - Digital Display	3-1/2" digit 0 to 12 mA / 0 to 240V
Display Resolution	0.01 mA / 1V
Leakage Current Range	0...12 mA
Current magnitude required to activate "Hazard" LEDs	2 or 5 mA internally set prior to shipment
Current accuracy	2% of reading +/- 0.03mA
Voltage accuracy	2% of reading +/- 3V
Operation Temperature Range	-5° C to +50° C
Power Consumption	1 W @ 120V AC 2 W @ 240V AC
Operation	continuous @ 120V AC 15 minute intermittent for voltages ≥ 208V AC
Plug Type	Hospital Grade, 2-pole, 3-wire, 15A, 125V, straight-blade
Carrying Case	17" x 12" x 3-3/4" (W x H x D)
Accessories (including carrying case)	Hospital Grade adapter for 2-pole, 3-wire, 20A, 125V, twist-to-lock receptacle

Note:

The current through the LT3000 is internally limited to 12mA. A 5 kW resistive fault in a 120V system would produce a LIM current of 24mA. The LT3000, however, limits this current to 12mA.

At voltage ≥ 208V, the LT3000 will shut off for sustained operation > 15 minutes.

Safety Instructions



Electrical equipment shall only be installed by qualified personnel in consideration of the applicable safety regulations.

Our Address

BENDER MEDICAL PRODUCTS

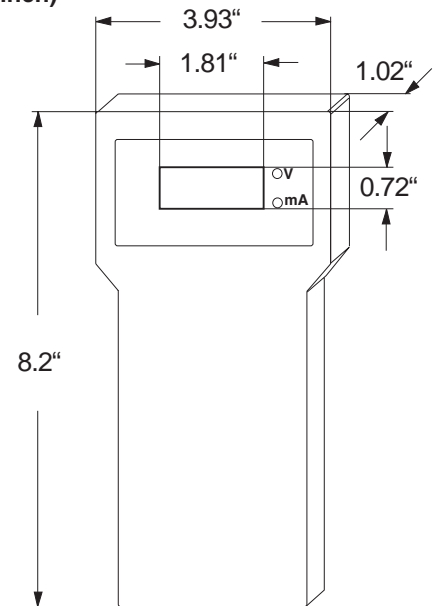
700 Fox Chase
Coatesville, PA 19320
Phone: 800-356-4266
610-383-9200
Fax: 610-383-7100
E-mail: medical@bender.org

Specifications and other data subject to change without notice.

RA-T1xS1 Receptacle Adapter



Dimension Diagram (inch)



Operator Interaction

