

Hospital Grade Isolation Transformers

For Healthcare Facilities



Hospital Grade Isolation Transformers

Isolation transformers for healthcare facilities



Isolation Transformer

Description

BENDER's hospital grade isolation transformers provide isolation between configured primary and secondary voltages. Standard single-phase transformers are configured at the factory for a single primary voltage and a single secondary voltage. Dual secondary transformers are configured at the factory for a single primary voltage, a secondary voltage, and an additional secondary voltage rated for 120 VAC.

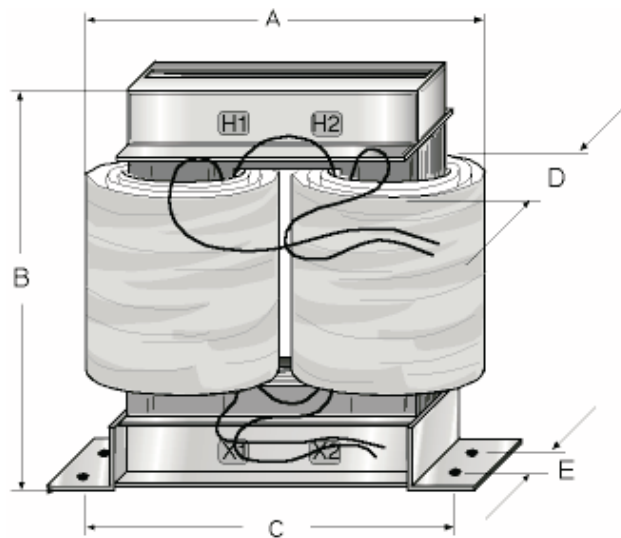
BENDER isolation transformers are intended for use as a part of an isolated power system. For more information, refer to document NAE2091010, "Isolated Power Panels."

Features

- Single-phase with primary and secondary voltages configured at the factory
- Power rating configurable up to 25 kVA
- Class H rated insulation
- Electrostatic shield between primary and secondary windings, grounded to enclosure
- Maximum 37 dB sound level
- Maximum leakage current in compliance with UL 1047, tables 30.1 and 30.2, and CSA Z32.2
- Mounting hardware provided for simple installation

Technical Data: Standard Isolation Transformer

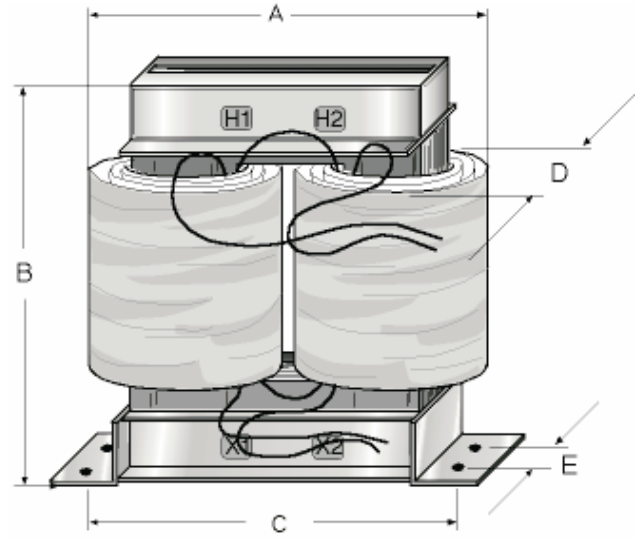
Dimensions					
kVA	A	B	C	D	E
3	14"	13.25"	14"	4"	3.25"
5	16"	14.5"	14"	5"	3.25"
7.5	17"	14.75"	14"	5.5"	3.25"
10	14"	14"	14"	7"	3.25"
15	15"	16"	11"	8"	6.75"
20	17.5"	18"	11"	8"	6.75"
25	17.5"	18"	11"	8.5"	6.75"



Technical Data				
kVA	Noise (dB)	Impedance (%)	Regulation (%)	Weight (lb)
3	27	4.22	3.0	65
5	27	3.58	3.0	85
7.5	30	3.12	2.4	110
10	30	2.01	1.8	170
15	35	1.34	1.1	170
20	37	1.28	1.05	260
25	37	1.48	1.3	320

Technical Data: Dual Secondary Voltage Isolation Transformer

Dimensions					
kVA	A	B	C	D	E
15	15"	16"	11"	9"	6.75"
20	17.5"	18"	11"	9"	6.75"
22.5	17.5"	18"	11"	9"	6.75"
25	17.5"	18"	11"	9.5"	6.75"

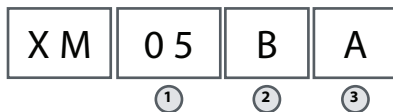


Technical Data				
kVA	Noise (dB)	Impedance (%)	Regulation (%)	Weight (lb)
15	35	1.37	1.1	275
20	35	1.32	1.05	330
22.5	35	1.25	1.05	345
25	35	1.42	1.2	370

Ordering Information

BENDER isolation transformers are intended for use as a component of a complete isolated power panel. For more information, consult document number NAE2092010, "Isolated Power Panels."

Ordering Information: Standard Isolation Transformer (Single Secondary Voltage)



1 - kVA of transformer

03: 3 kVA	10: 10 kVA
05: 5 kVA	15: 15 kVA
07: 7.5 kVA	25: 25 kVA

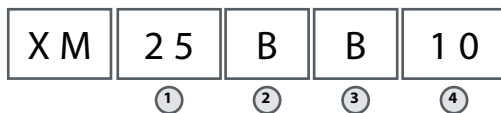
2 - Primary voltage of transformer

A: 120 V	G: 110 V
B: 208 V	H: 220 V
C: 240 V	I: 230 V
D: 277 V	J: 380 V
E: 480 V	

3 - Secondary voltage of transformer

A: 120 V	G: 110 V
B: 208 V	H: 220 V
C: 240 V	I: 230 V

Ordering Information: Dual Secondary Voltage Isolation Transformer



1 - KVA rating of transformer

25: 25 kVA

2 - Primary voltage of transformer

B: 208 V	E: 480 V
C: 240 V	H: 220 V
D: 277 V	J: 380 V

3 - Secondary voltage of transformer

B: 208 V	C: 240 V
----------	----------

4 - KVA of 120 V secondary

10: 10 kVA



North American Headquarters • Coatesville, PA
Toll-Free: 800.356.4266 • Fax: 610.383.7100

Canada • Brampton, ON
Toll-Free: 800-243-2438 • Fax: 905-799-3051

www.bender.org • E-mail: info@bender.org