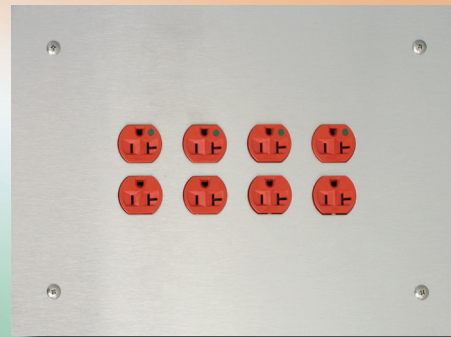
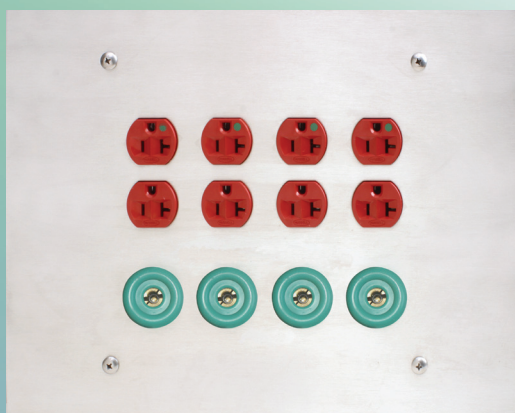


Ground Power Modules

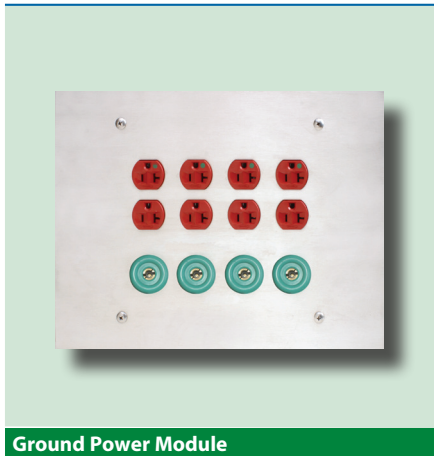
And Accessories

For Healthcare Facilities



Ground Power Modules

Hospital grade outlet modules



Ground Power Module

Introduction

BENDER series GPM ground and power modules provide a combination of hospital grade power receptacles and/or ground jacks to satisfy the requirements of general and critical care areas. Straight blade (single or duplex) and twist-to-lock receptacles may be provided. Also available are hospital grade ground cords to facilitate the implementation of an equipotential environment.

Ground and power modules are designed in strict compliance with UL467, UL50, the NFPA 70 (National Electric Code), and NFPA 99.

General

GPM modules are available with hospital grade receptacles and/or ground jacks. When provided in a backbox, a ground bus arrangement may also be provided. GPM modules may also be provided without receptacles or ground jacks to serve as a collection point for all room grounding conductors.

Features

- **Applications:** Hospital Grade outlet devices for supply and grounding of portable equipment
- **Features:** Can contain hospital grade power receptacles, hospital grade ground jacks, and/or aluminum or copper ground buses
- **Mounting:** Available for flush or surface mounted applications

Backbox

GPM modules are available mounted on stainless steel wall plates that are compatible with standard contractor supplied electrical gang boxes (with or without plaster ring).

Modules (GPM-F, GPM-S models) are also available on a custom front trim for use in a 12"x8"x4" backbox. Surface mounted enclosures are finished with a coat of hospital grade epoxy enamel or equivalent. See ordering information for available configurations.

Power Receptacles and Ground Jacks

GPM modules customized on a standard gang wall plate can accommodate either one power receptacle, or one ground jack per gang. Power receptacles are available in either straight blade single, straight-blade duplex, and twist-to-lock styles.

GPM modules customized on a faceplate are available in similar combinations with up to four (4) sections. Each section may accommodate one of the following combinations: One power receptacle and one ground jack, one power receptacle, or two ground jacks.

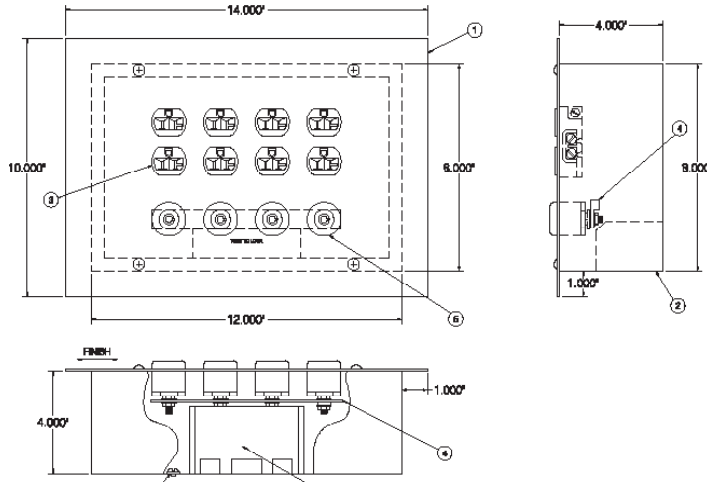
A reference bus connects the ground jacks. A lug connected to the bus serves as a connection point to the system's equipotential grounding system.

Ground Bus

GPM modules customized on a faceplate are provided with a ground bus. The ground bus is constructed from highly conductive metal bar stock. The assembly contains minimum nineteen #14-4 screw connections for the attachment of grounding conductors. It also has one #4-2/0 lug for the system grounding conductor. The main ground connection in the module accommodates a #4 1/0 cable. Additional ground bus configurations are available upon request.

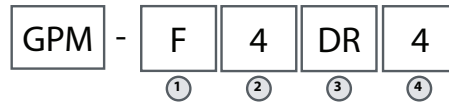
Build your isolated power system online at bender.org/isolated-power.

Sample Outline: Module Wall Plate with Backbox (Example Part Number: GPM-F4DR4)



- 1 - Stainless steel faceplate, 14" x 10"
- 2 - Backbox, galvanized steel 12" x 8" x 4"
- 3 - Hospital grade duplex receptacles
- 4 - Equipotential ground bus with lug
- 5 - Hospital grade ground jacks
- 6 - Ground bus
- 7 - Backbox grounding connection

Ordering Information: Ground and Power Module on Wall Plate with Backbox



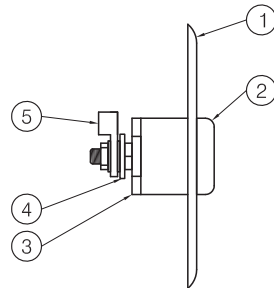
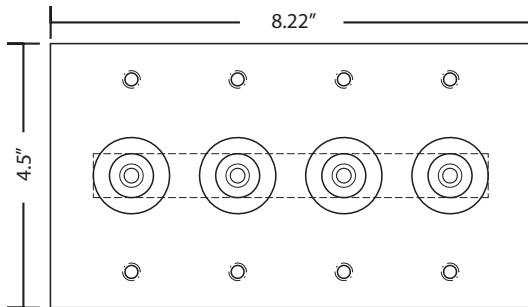
- 1 - Mounting type
 F: Wall Plate, Flush Mounted
 S: Wall Plate, Surface Mounted
- 2 - Quantity of ground jacks*
 0: Zero 6: Six
 2: Two 8: Eight
 4: Four
- 3 - Type of receptacle
 SR: Single, Red DI: Duplex, Ivory
 SI: Single, Ivory TB: Twist-to-Lock, Black
 DR: Duplex, Red NN: None
- 4 - Quantity of receptacles*
 0: Zero 4: Four
 2: Two

* NOTE: The total quantity of ground jacks and receptacles must be eight (8) or less. Contact a representative for additional configurations.

Ordering Information: GPM Backboxes		
Part No.	Description	Dimensions
B120804	GPM backbox, flush mounted	12"W x 8"H x 4"D
B120804S	GPM backbox, surface mounted	12"W x 8"H x 4"D

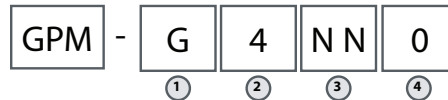
The front trim for flush mounted modules extends 1" on each side from the backbox. The front trim for surface mounted modules has the same dimensions as the backbox.

Sample Outline: Module Gang Plate with Receptacles and Ground Jacks (Example Part Number: GPM-G4NN0)



- 1 - Stainless steel gang plate, #4 brushed finish, 4-gang
- 2 - Hospital grade ground jack (cap)
- 3 - Hospital grade ground jack (body)
- 4 - Equipotential ground bus
- 5 - Incoming ground lug

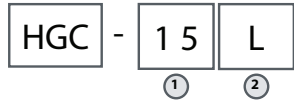
Ordering Information: Ground and Power Module on Gang Plate



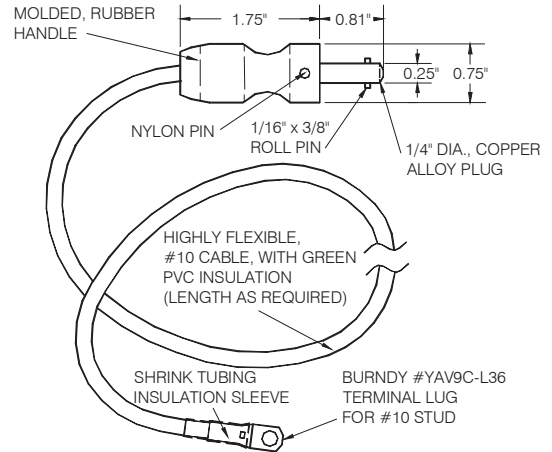
- | | |
|--|--|
| <p>1 - Mounting type
G: Gang plate</p> <p>2 - Quantity of ground jacks*
0: Zero 6: Six
2: Two 8: Eight
4: Four</p> | <p>3 - Type of receptacle
SR: Single, Red DI: Duplex, Ivory
SI: Single, Ivory TB: Twist-to-Lock, Black
DR: Duplex, Red NN: None</p> <p>4 - Quantity of receptacles*
0: Zero 6: Six
2: Two 8: Eight
4: Four</p> |
|--|--|

* NOTE: The total quantity of ground jacks and receptacles must be eight (8) or less. Contact a representative for additional configurations.

Accessories: Hospital Grade Ground Cords



- 1 - Cable length
 - 10: 10 feet
 - 12: 12 feet
 - 15: 15 feet
- 2 - Cable end termination
 - C: Heavy duty clip on one end, plug on other
 - L: Lug on one end, plug on the other



Spare Parts / Additional Parts List for Ground Power Modules

Hospital Grade Ground Jacks	
Part No.	Description
HGJ-1R	Hospital grade ground jack



North American Headquarters • Coatesville, PA
 Toll-Free: 800.356.4266 • Fax: 610.383.7100

Canada • Brampton, ON
 Toll-Free: 800-243-2438 • Fax: 905-799-3051

www.bender.org • E-mail: info@bender.org