

# Coupling device AGH150W-4



Coupling device AGH150W-4

## Technical data coupling device AGH150W-4

### Insulation coordination acc. to IEC 60664-1

Rated insulation voltage	DC 1600 V
Rated impulse voltage/pollution degree	12 kV/3

### Voltage ranges

Nominal system voltage $U_n$	DC 0...1760 V
------------------------------	---------------

### Other details

Shock resistance IEC 60068-2-27 (during operation)	15 g/11 ms
Bumping IEC 60068-2-29 (during transport)	40 g/6 ms
Vibration resistance IEC 60068-2-6 (during operation)	1 g/10...150 Hz
Vibration resistance IEC 60068-2-6 (during transport)	2 g/10...150 Hz
Ambient temperature (during operation)	-10 °C...+55 °C
Ambient temperature (during storage)	-40 °C...+70 °C
Climatic class acc. to DIN IEC 60721-3-3	3K5
Operating mode	continuous operation
Mounting	any position
Connection	flat terminals
Connection properties rigid/flexible	0.2...4 mm <sup>2</sup> /0.2...2.5 mm <sup>2</sup>
Degree of protection, internal components (DIN EN 60529)	IP 30
Degree of protection, terminals (DIN EN 60529)	IP 20
DIN rail mounting acc. to	DIN EN 60715/IEC 60715
Flammability class	UL94V-0
Operating manual	BP109001
Weight approx.	900 g

## Ordering information

Type	Nominal system voltage $U_n$	Art. No.
AGH150W-4	DC 1760 V	B 9801 8006

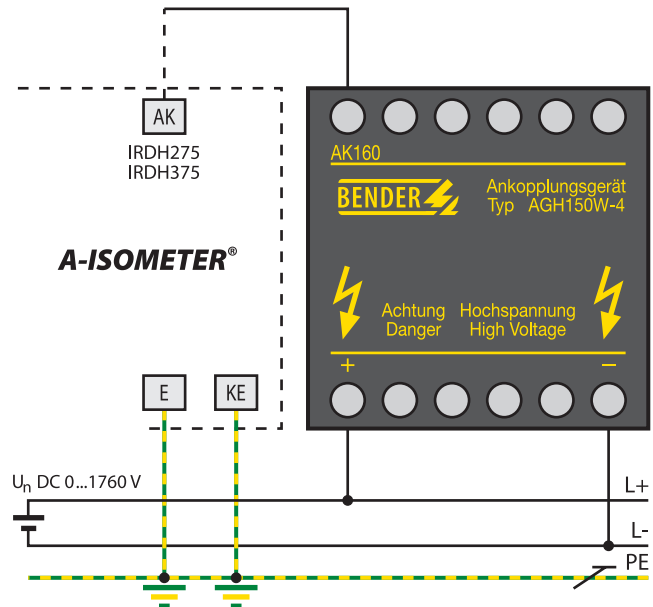
## Product description

The AGH150W-4 coupling device is designed to extend the nominal voltage range of the A-ISOMETER® IRDH265-4/IRDH365-4/IRDH1065B-4 series to DC 0...1760 V. The coupling device is connected to the system being monitored by two poles and connected to the terminal AK of the A-ISOMETER® by means of the terminal AK160.

## Approvals

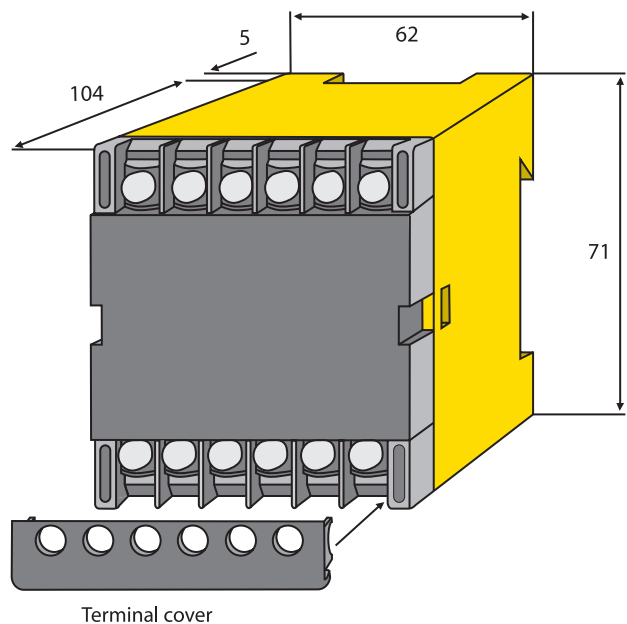


## Wiring diagram



## Dimension diagram X150

Dimensions are given in mm



1.8.1