

Measuring current transformers of the W...B series



Measuring current transformer W60B



W35B on DIN rail

Device features

- for AC/DC sensitive residual current monitors of the series RCMA470 (W35B, W60B) and RCMA471 (W120B, W210B)

Approvals



Product description

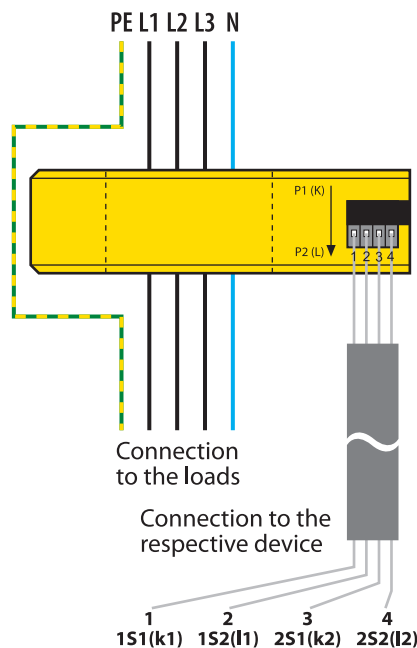
Measuring current transformers of the W...B series are highly sensitive measuring current transformers which measure AC and DC currents and convert them into evaluable measurement signals, in combination with residual current monitors of the RCMA470, RCMA471 series.

Connection to the respective devices is via a four-wire cable.

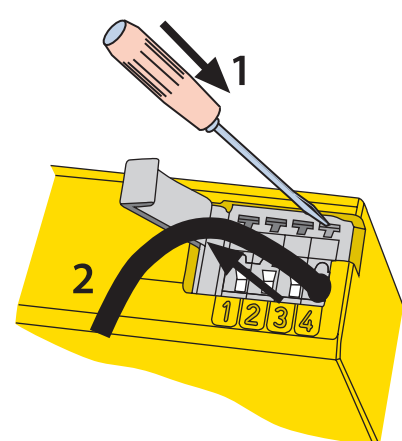
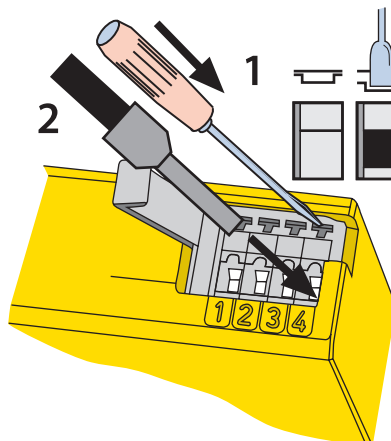
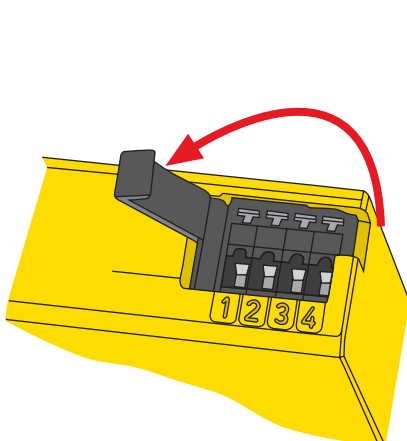
Installation instructions

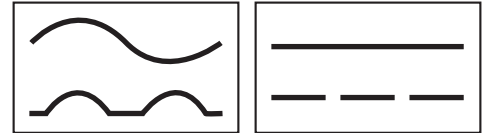
- Make sure that all live conductors are routed through the measuring current transformer.
- Do not route shielded conductors through the measuring current transformer.
- Never route a ground conductor (GND/PE) through the measuring current transformer

Wiring diagram



Connection to the respective ground fault (residual) current monitor of the series:
RCMA470: W35B, W60B;
RCMA471: W120B, W210B





Technical data

Insulation coordination acc. to IEC 60664-1 / IEC 60664-3	
Rated insulation voltage	800 V
Rated impulse voltage / pollution degree	8 kV / III
CT circuit	
Rated primary residual current	30 mA...3 A
Rated continuous thermal residual current I_{cth}	40 A
Rated short-time thermal residual current I_{th}	$60 \times I_{cth} = 2.4 \text{ kA} / 1 \text{ s}$
Rated dynamic current I_{dyn}	$2.5 \times I_{th} = 6.0 \text{ kA} / 40 \text{ ms}$
Environmental conditions	
Operating temperature	-25 °C...+70 °C
Climatic class acc. to IEC 60721	
Stationary use (IEC 60721-3-3)	3K5 (except condensation and formation of ice)
Transport (IEC 60721-3-2)	2K5 (except condensation and formation of ice)
Long-time storage (IEC 60721-3-1)	1K5 (except condensation and formation of ice)
Classification of mechanical conditions IEC 60721	
Stationary use (IEC 60721-3-3)	3M4
Transport (IEC 60721-3-2)	2M2
Long-time storage (IEC 60721-3-1)	1M3
Connection	
Type of connection	cage clamp spring terminal
rigid / flexible / conductor sizes	0.08...2.5 / 0.08...2.5 mm ² / 28...12 AWG
Stripping length	8...9 mm
Connection RCMA47... – Measuring current transformer	
Single wire $\geq 0.75 \text{ mm}^2$	0...10 mm
Other	
Degree of protection, internal components (IEC 60529)	IP40
Degree of protection, terminals (IEC 60529)	IP20
Screw mounting	M5 with mounting brackets
Flammability class	UL94V-0
Standards	IEC 60044-1
Instruction leaflet	BP409016
Approval	UL under consideration, GOST

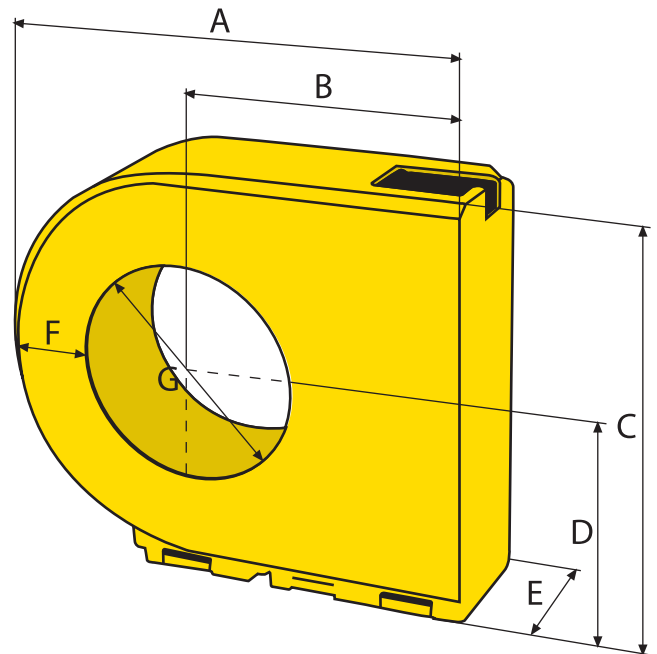
Ordering information

Type	Inside diameter	Fixing		Art. No.
		DIN rail	Mounting bracket	
W35B	35 mm	×	×	B 9808 0013
W60B	60 mm	×	×	B 9808 0021
W120B	120 mm	--	×	B 9808 0031
W210B	210 mm	--	×	B 9808 0037

Accessories

Type	Width	Art. No.
Snap-on mounting for W35B	43.5 mm	B 9808 0501
Snap-on mounting for W60B	50 mm	B 9808 0502

Dimension diagram



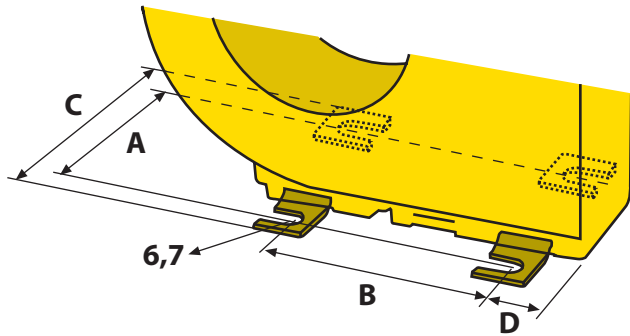
Dimensions

Type	A	B	C	D	E	F	G	Weight
W35B	99.5	62	79.2	41.7	30	20	ø 35	0.19 kg
W60B	135	79	116.4	60.4	37	24	ø 60	0.31 kg
W120B	210	116.5	191.5	98	37	33.5	ø 120	0.805 kg
W210B	323	173	304.5	154.5	45	45	ø 210	1.68 kg

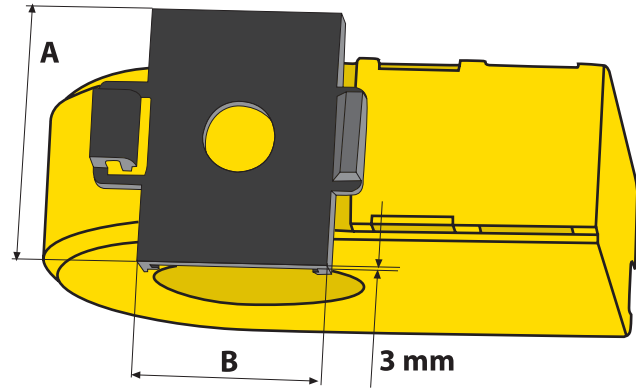
Dimensions in mm

Mounting details

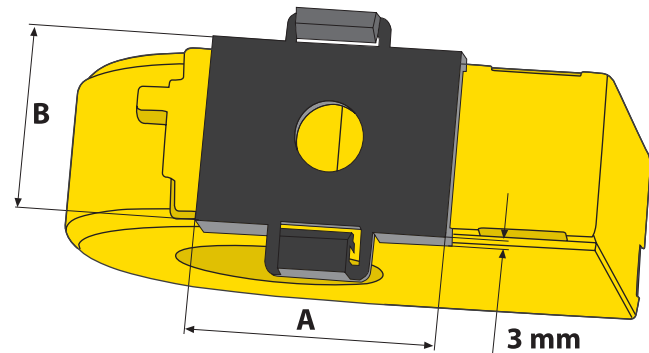
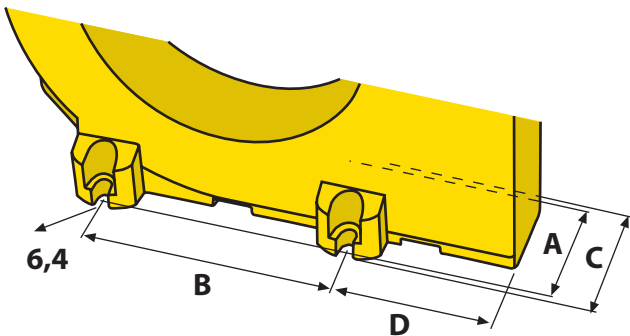
Screw mounting with mounting brackets: W35B, W60B



Snap-on mounting on DIN rail, for vertical or horizontal mounting: W35B, W60B



Screw mounting: W120B, W210B



Dimensions screw mounting

Type	A	B	C	D
W35B (fixing with two mounting brackets, diagonally)	47	49.8	63	12.1
W60B (fixing with four mounting brackets)	54	66	70	17.7
W120B screw mounting	51	103	60.6	65
W210B screw mounting	59	180	68.6	83

Dimensions in mm

Dimensions snap-on mounting

Type	A	B
W35B	43.5	32
W60B	50	39

Dimensions in mm

Selection list

Type	RCMA470	RCMA471
W35B	×	--
W60B	×	--
W120B	--	×
W210B	--	×

4.5